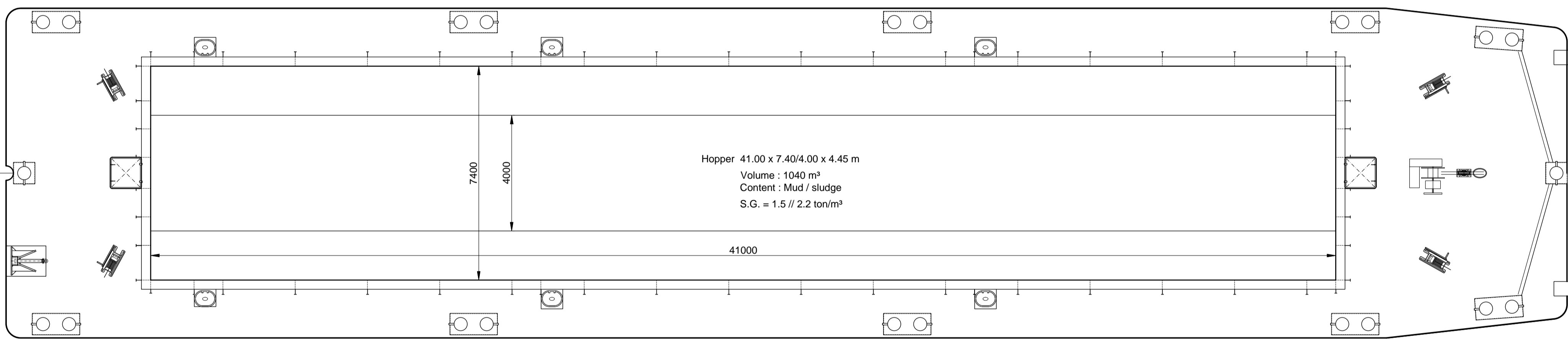
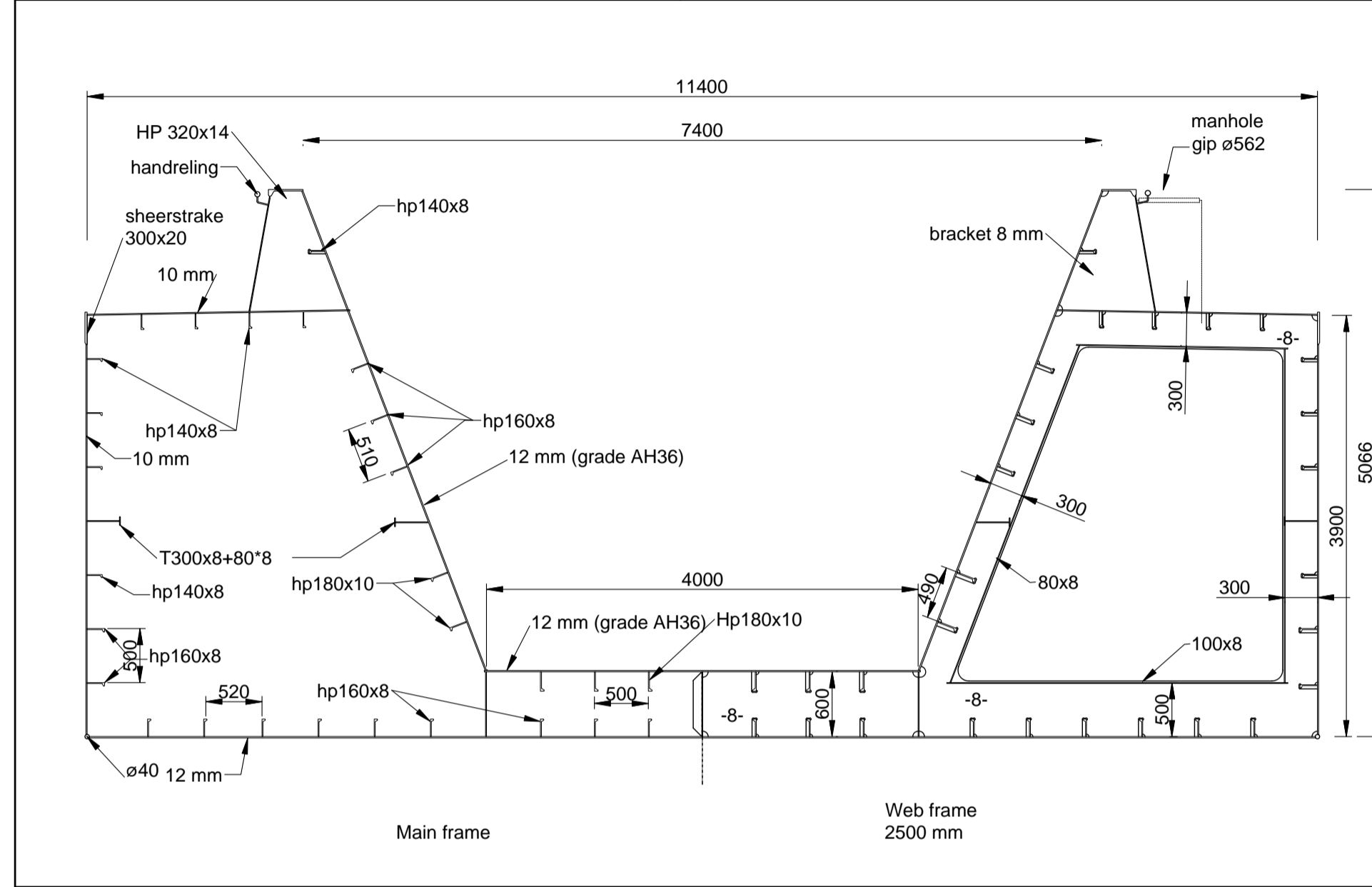
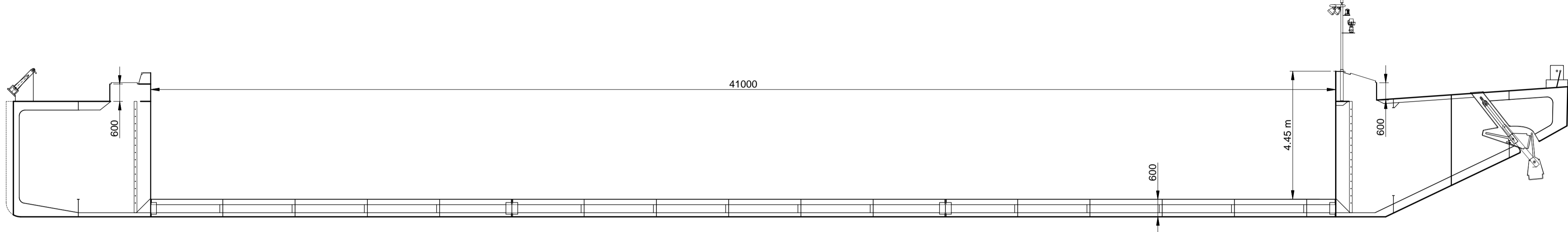
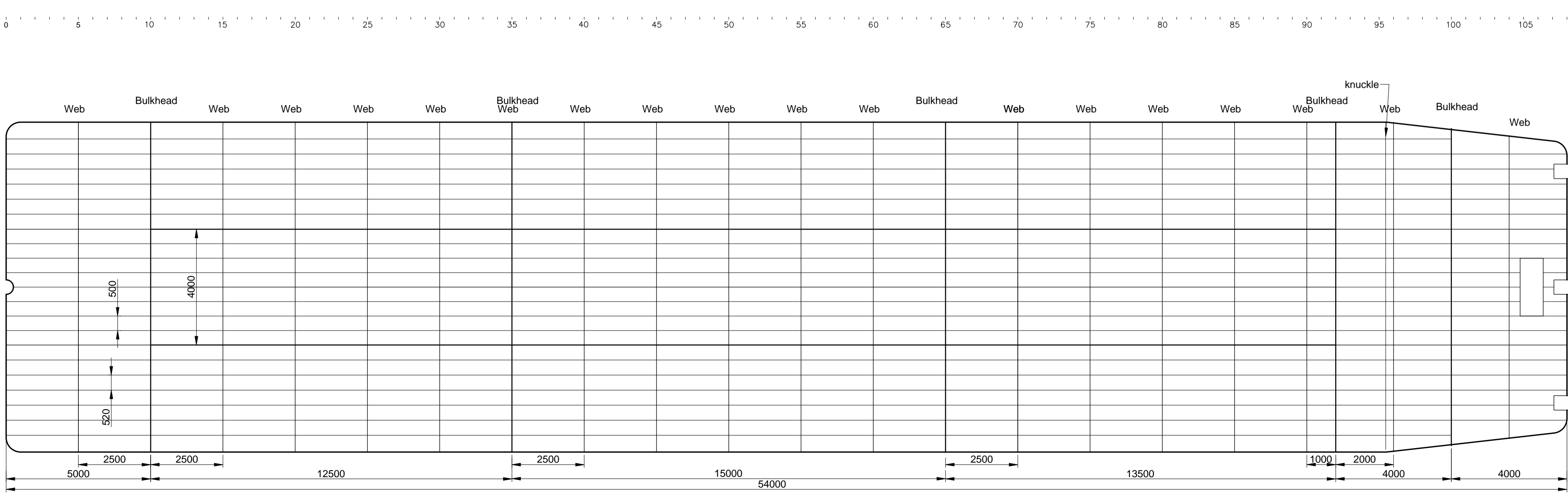


Detail bollards (10 x)
Scale 1/25



Main dimensions	
Length o.a.	= 54.30 m.
Length ll	= 54.00 m.
Breadth hull	= 11.40 m.
Depth	= 3.90 m.
Draft max.	= 3.50 m.
Cargo max.	= 1600 ton
Cargo max.	= 1040 m3



D			
C	19/10/16	HR	Stiffeners, details, etc.
B	14/10/16	HR	Remarks RINA, Bottom stiffeners, webframe spacing, etc.
A	12/10/16	HR	Remarks RINA, cargo + S.G., hatches, extra webs reinforcement etc.
Revisie	Datum	Initialen	Wijziging(en)


 Yacht Design, Naval Architecture & Engineering
 Langstraat 3
 8611 JN Gaastmeer
 The Netherlands
 www.gastmeerdesign.nl
 T +31 (0) 515 469999
 F +31 (0) 515 469800
 e-mail: info@gastmeerdesign.nl

Project:	GPS Marine 1600 ton Barge	Projectnr.:	1646
Omschrijving:	General arrangements	Tekeningnr.:	A01
Opdrachtgever:	CMS yard Leeuwarden	Getekend	HR
		Schaal	1/100 1/25
		Datum	6/10/16
		Klasse	RINA/ROSR

All rights of this design and details are reserved.